



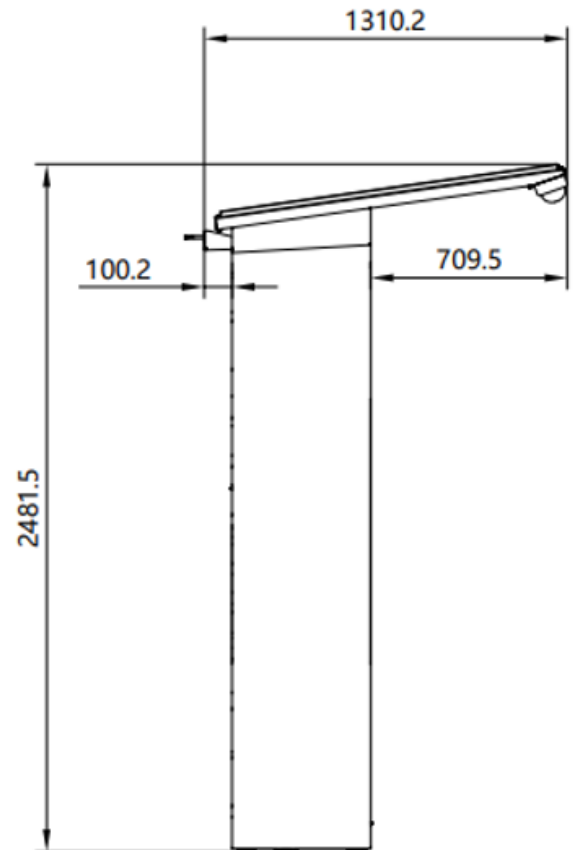
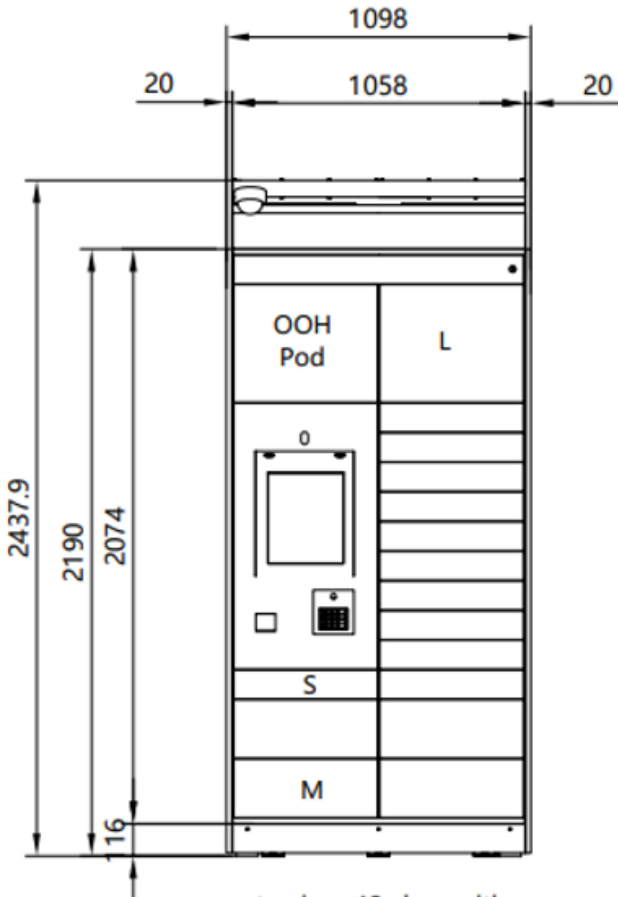
# Locker Specification



# OOHPod

## 17 Door Smart Parcel Locker

[www.oohpod.com/business](http://www.oohpod.com/business)



Unit: MM	Size of Door			Size of Compartment		
	W	H	D	W	H	D
XXS	255.25	104.5	23	163	85.5	474
S	519	104.5	23	430	85.5	474
M	519	211.5	23	430	192	474
L	519	422.5	23	430	405	474

### Dimension & Weight

17 Door Parcel Locker.

2 Meters Tall.

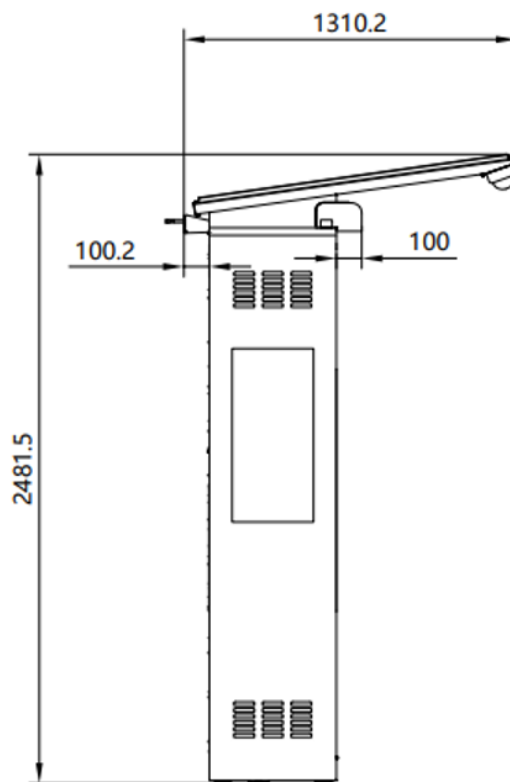
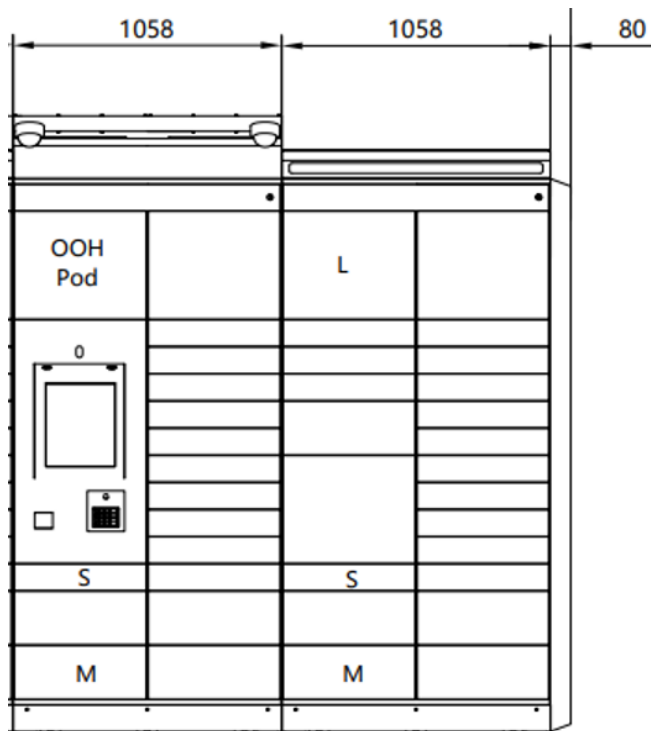
1 Meter Wide.

100cm dept.

145KG for the steering unit.

# OOHPod

## 47 Door Smart Parcel Locker



Advertising side panel with 32" screen

Unit: MM	Size of Door			Size of Compartment		
	W	H	D	W	H	D
XXS	255.25	104.5	23	163	85.5	474
S	519	104.5	23	430	85.5	474
M	519	211.5	23	430	192	474
L	519	422.5	23	430	405	474

### Dimension & Weight

47 Door Parcel Locker.  
 2 Meters Tall. (2.4 Meters tall at the highest point of the canopy)  
 2.1 Meters Wide.  
 100cm dept.  
 145KG for the steering unit.

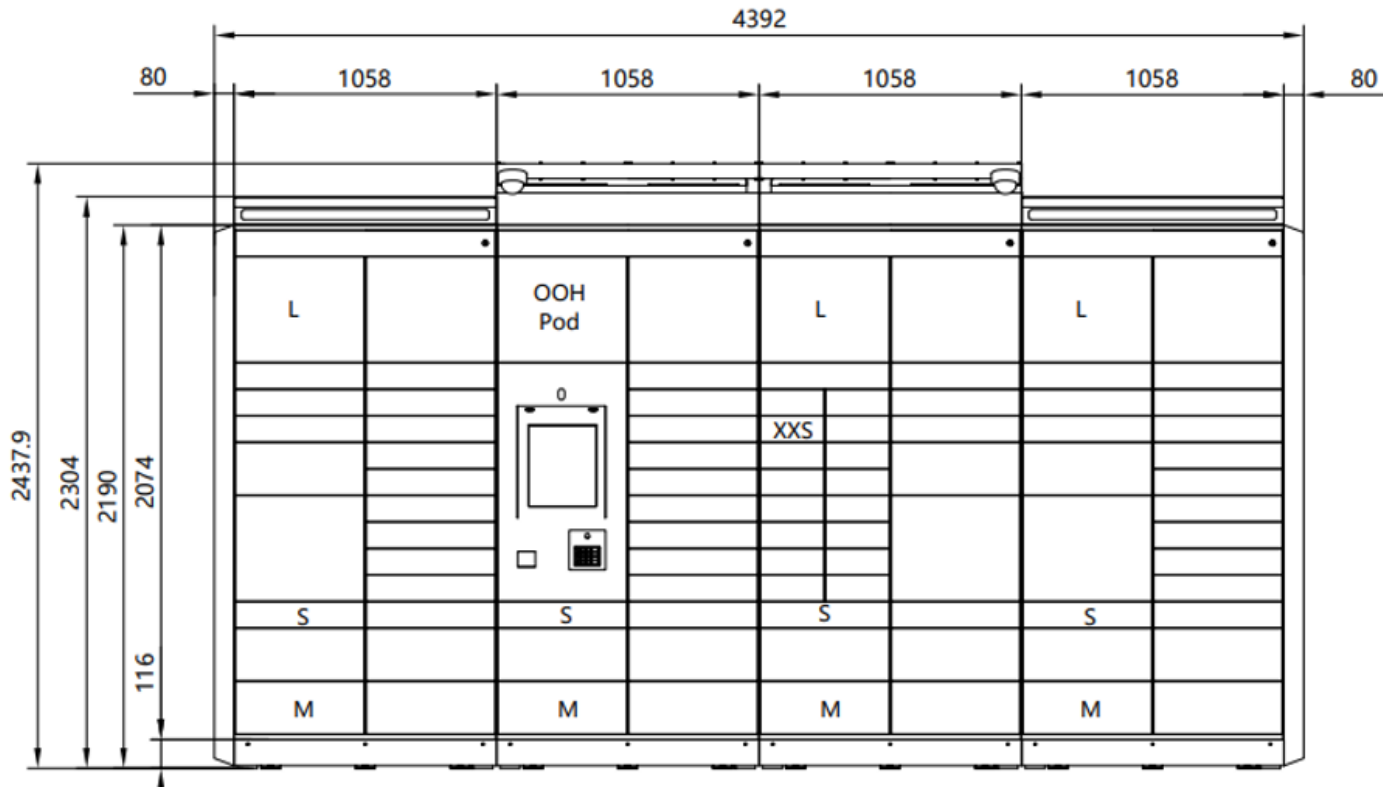
### Electrical Requirements

Single phase power supply is the only hardwired service to operate the locker. Running on a clean connection back to the fuse board. The locker can plug directly into an outdoor socket. There should be an isolator fitted before the outdoor socket.

# OOHPod

## 91 Door Smart Parcel Locker

[www.oohpod.com/business](http://www.oohpod.com/business)



Unit: MM	Size of Door			Size of Compartment		
	W	H	D	W	H	D
XXS	255.25	104.5	23	163	85.5	474
S	519	104.5	23	430	85.5	474
M	519	211.5	23	430	192	474
L	519	422.5	23	430	405	474

### Dimension & Weight

91 Door Parcel Locker.

2 Meters Tall. (2.4 Meters tall at the highest point of the canopy)

4.2 Meters Wide.

100cm dept.

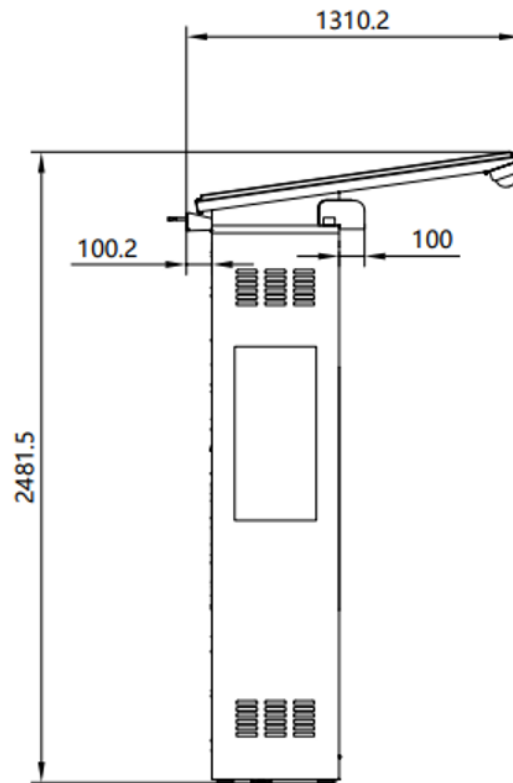
145KG for the steering unit.

Continued →

# OOHPod

## 91 Door Smart Parcel Locker

[www.oohpod.com/business](http://www.oohpod.com/business)



Advertising side panel with 32" screen

### Electrical Requirements

Single phase power supply is the only hardwired service to operate the locker. Running on a clean connection back to the fuse board. The locker can plug directly into an outdoor socket. There should be an isolator fitted before the outdoor socket.



**For further details on our lockers and solutions for your business, please contact our Sales team today:**

e: [a.masterson@oohpod.com](mailto:a.masterson@oohpod.com)

t: +353 (0) 87 102 5383

w: <https://www.oohpod.com/business>